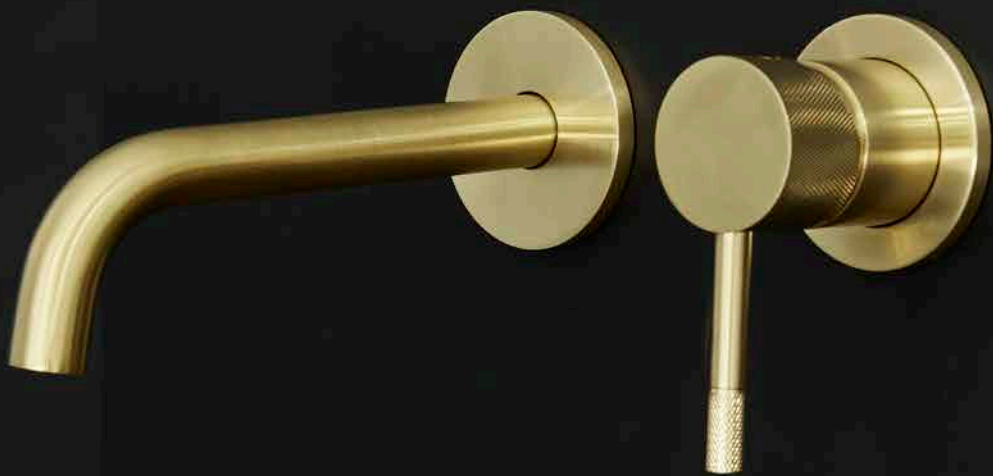


ELEMENTi®

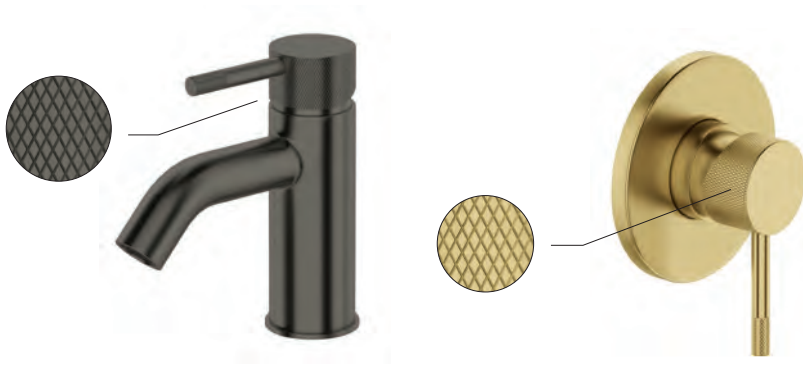
UNO
ETCH



UNO ETCH

ETCHED HANDLE

An etched handle gives Uno Etch tapware an industrial aesthetic with the cross cut texture also providing additional grip for easier operation.



Uno Etch Extended Height Basin Mixer
Finish: Gun Metal



Uno Etch Basin Mixer
Finish: Brushed Brass



UNO ETCH

UNO ETCH BASIN MIXER

INCLUDES BASE RING
 35MM CARTRIDGE
 LOW/UNEQUAL PRESSURE:
 WELS 6 STAR 4.5 L/MIN
 MAINS PRESSURE:
 WELS 5 STAR 5.5 L/MIN

BRUSHED
 NICKEL:
41651.04



GUN
 METAL:
41651.29



BLACK:
41651.13



BRUSHED
 BRASS:
41651.07



UNO ETCH EXTENDED HEIGHT BASIN MIXER

INCLUDES BASE RING
 35MM CARTRIDGE
 LOW/UNEQUAL PRESSURE:
 WELS 6 STAR 4.5 L/MIN
 MAINS PRESSURE:
 WELS 5 STAR 5.5 L/MIN

BRUSHED
 NICKEL:
41652.04



GUN
 METAL:
41652.29



BLACK:
41652.13



BRUSHED
 BRASS:
41652.07



UNO ETCH WALL MOUNTED BASIN MIXER

35MM CARTRIDGE
 MAINS PRESSURE:
 WELS 4 STAR 7 L/MIN

NOTE:
 HANDLE POSITION
 CAN BE INSTALLED
 FACING UPRIGHT
 OR DOWNWARDS.

BRUSHED
 NICKEL:
41656.04



GUN
 METAL:
41656.29



BLACK:
41656.13



BRUSHED
 BRASS:
41656.07



UNO ETCH WALL MOUNTED BATH MIXER

35MM CARTRIDGE

NOTE:
 HANDLE POSITION
 CAN BE INSTALLED
 FACING UPRIGHT
 OR DOWNWARDS.

BRUSHED
 NICKEL:
41653.04



GUN
 METAL:
41653.29



BLACK:
41653.13



BRUSHED
 BRASS:
41653.07



**UNO ETCH
SHOWER MIXER**

Ø115
MULTI-PRESSURE
40MM CARTRIDGE

BRUSHED
NICKEL:
41670.04



GUN
METAL:
41670.29



BLACK:
41670.13



BRUSHED
BRASS:
41670.07



**UNO ETCH
SHOWER MIXER**

Ø90
MAINS PRESSURE
40MM CARTRIDGE

BRUSHED
NICKEL:
41675.04



GUN
METAL:
41675.29



BLACK:
41675.13



BRUSHED
BRASS:
41675.07



NEW

**UNO ETCH
SHOWER MIXER**

Ø65
MAINS PRESSURE
35MM METAL STEM CARTRIDGE

BRUSHED
NICKEL:
44770.04



GUN
METAL:
44770.29



BLACK:
44770.13



BRUSHED
BRASS:
44770.07



**UNO ETCH
DIVERTER MIXER**

Ø140
MAINS PRESSURE
40MM CARTRIDGE

BRUSHED
NICKEL:
41680.04



GUN
METAL:
41680.29



BLACK:
41680.13

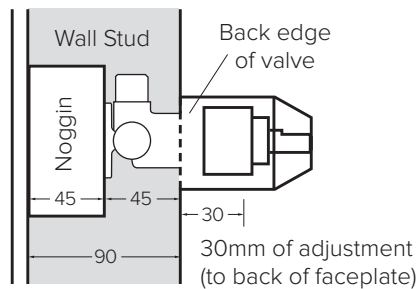


BRUSHED
BRASS:
41680.07



**30MM
ADJUSTMENT RANGE**

The Mains Pressure shower mixer features a 30mm adjustment range allowing for different installation requirements and thickness of wall/cladding materials.



**OPTIONAL 13MM
EXTENSION KIT**

43mm of adjustment (to the back of faceplate) can be achieved using the 13mm extension kit. Code: **43472.00**



Note: Compatible with 40mm Mains Pressure Valve only.



UNO ETCH

UNO ETCH SQUARE KITCHEN MIXER

35MM CARTRIDGE
INCLUDES BASE RING
SWIVEL SPOUT
FORWARD ROTATING LEVER
LOW/UNEQUAL PRESSURE:
WELS 4 STAR 7 L/MIN
MAINS PRESSURE:
WELS 5 STAR 5.5 L/MIN

BRUSHED NICKEL:
41830.04



GUN METAL:
41830.29



BLACK:
41830.13

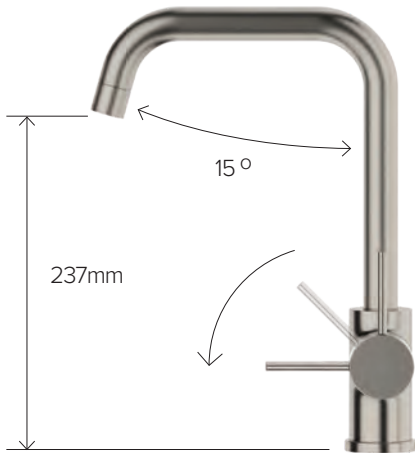


BRUSHED BRASS:
41830.07



USER FRIENDLY

The Uno Square kitchen mixer is designed for efficiency in the kitchen environment with an ergonomic spout height of 237mm and 15 degree operating angle allowing ease of use for tasks like filling or washing large pans.



Uno Etch Square Kitchen Mixer
Finish: Brushed Nickel

ELEMENTi[®]

10 Year Guarantee*

5 Year Coloured Finish Guarantee*

Forward Rotating Lever
Mains Pressure

Multi Pressure
Flawless Finish

Swivel Spout
Lead Free**

**Complies to the international standard for Lead Free faucets (0.25% or less).